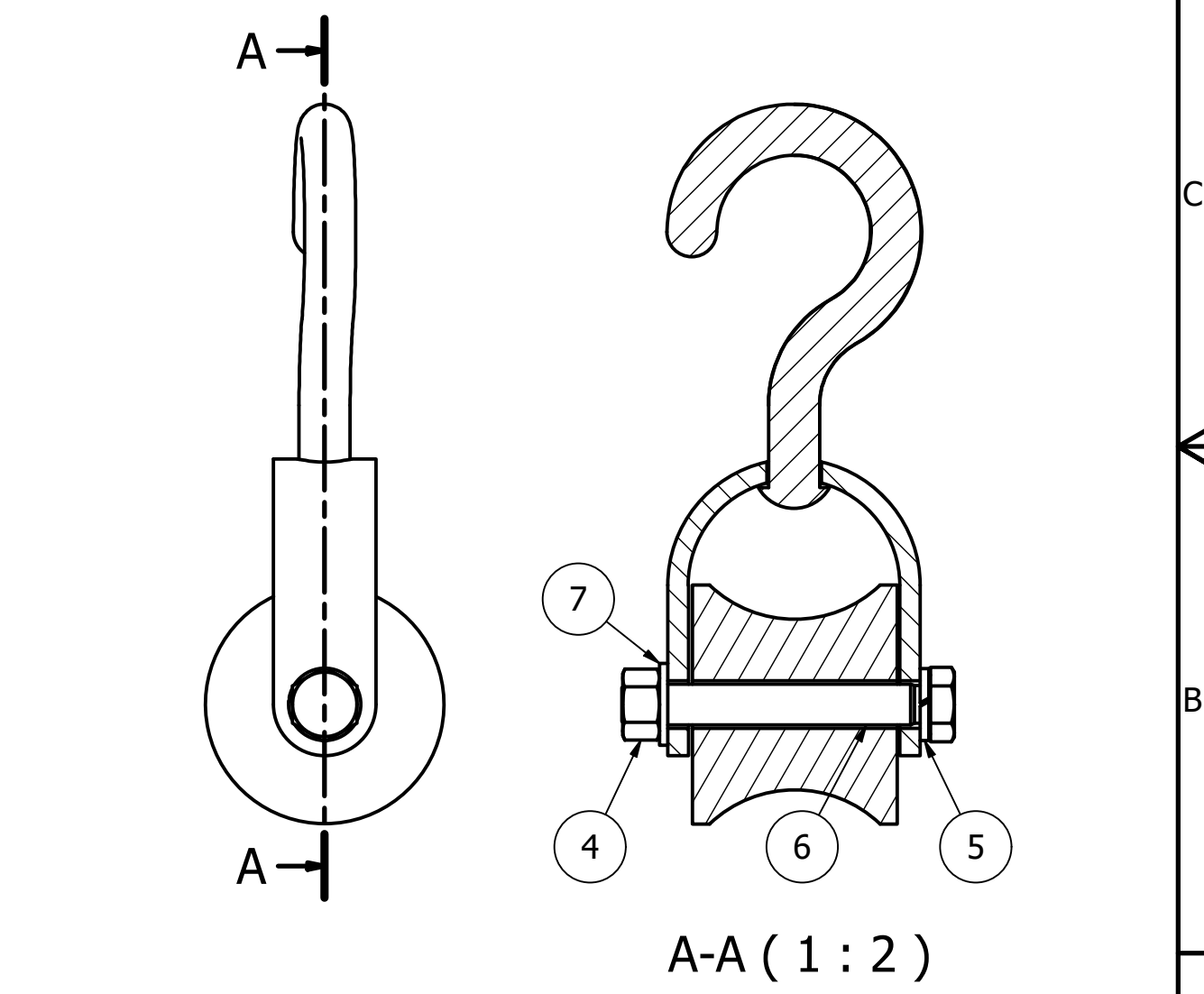


PARTS LIST			
ITEM	QTY	PART NUMBER	DESCRIPTION
1	1	haak	
2	1	beugel	
3	1	katrol	
4	1	ANSI B 18.2.4.1 M - M12 x 1,75	Hex Nut
5	1	DIN 127 - A 12	Spring Washer
6	1	DIN 933 - M12 x 90	Hex-Head Bolt
7	1	DIN 125 - A 13	Washer



Designed by ilser	Checked by	Approved by	Date	Date 21-6-2021	
			Hijs.geleiding		Edition
					Sheet 1 / 1